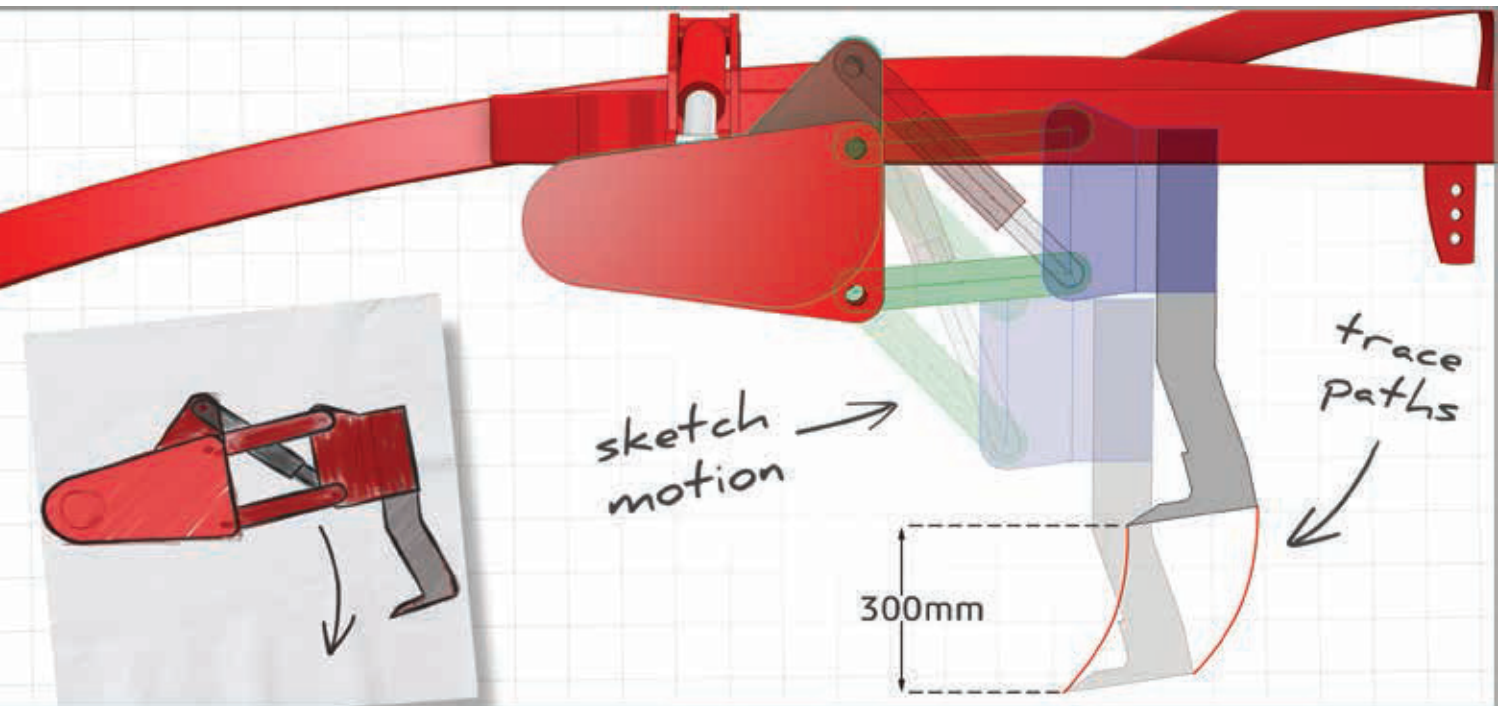


SOLIDWORKS CONCEPTUAL DESIGN

SIMPLIFY CONCEPTUAL DESIGN AND
EXPAND INNOVATION FOR BUSINESS ADVANTAGE



ACCELERATE YOUR CONCEPT DESIGN FOR MORE INNOVATION, BETTER COLLABORATION, AND FASTER TIME-TO-MARKET

Innovative conceptual design is the core of any successful product. SOLIDWORKS® Conceptual Design, powered by Dassault Systèmes 3DEXPERIENCE® platform, removes the constraints of structured design programs and gives you a flexible, intuitive, powerful modeling

environment that enables your design team to quickly develop, capture, and communicate your design ideas to help accelerate development, lower costs, speed time-to-market, and build your market share.

SIMPLIFY AND AMPLIFY YOUR CONCEPTUAL DESIGN PROCESS

SOLIDWORKS Conceptual Design simplifies the process of conceptual design and helps you make it a business advantage. Typically, mechanical conceptual design consumes almost one-third of the total project time, with an average of six design iterations. With 98 percent of companies collaborating on conceptual design, the potential impact on time-to-market and cost is clear, and having transparent data management and communication are critical. What do you need to make conceptual design work efficiently?

- An instinctive, easy-to-use design tool
- A way to harness the collective intelligence of your whole design team, customers, and supply chain to capture ideas, leverage existing designs, collaborate, and quickly get feedback
- Safe, secure, intelligent data that can be accessed anytime from anywhere

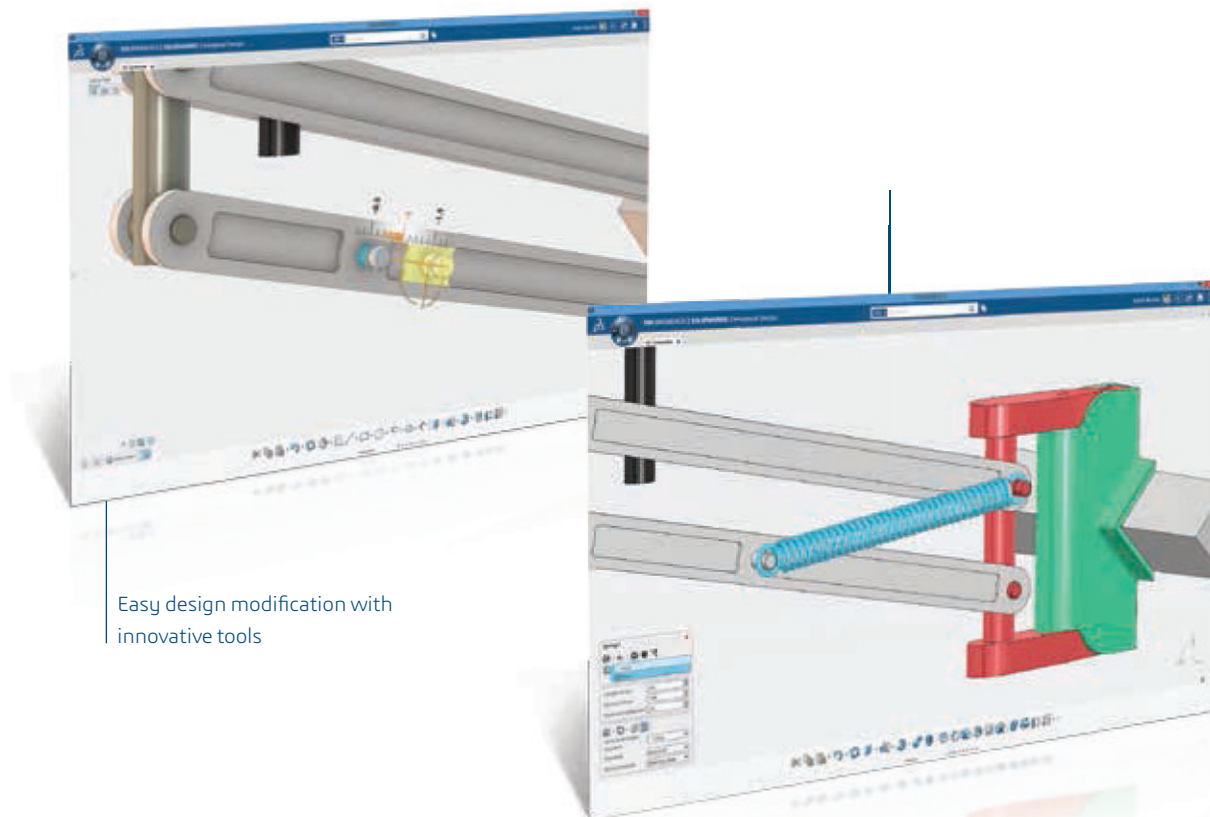
SOLIDWORKS Conceptual Design delivers a flexible, innovative conceptual design environment. It's complementary to SOLIDWORKS 3D CAD software, so you can focus on quickly solving design challenges; develop, verify, and present your concept; and then easily transition to building part and assembly structures. Continuous file saving keeps design files current, safe, and secure. And with your data accessed via the cloud, development teams can communicate from anywhere, anytime to easily innovate and collaborate.

Quickly Capture Your Concept Digitally

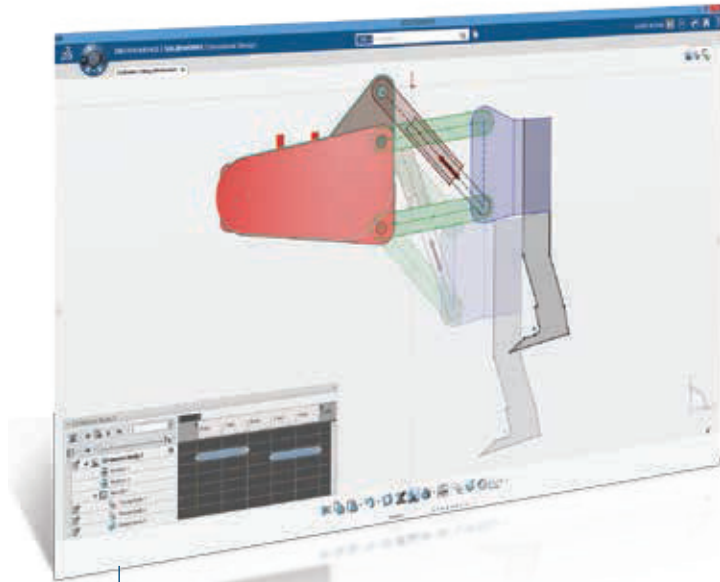
Evolving multiple concepts simultaneously is where SOLIDWORKS Conceptual Design really begins to speed up the design process. You can easily capture ideas and design iterations with amazing flexibility directly in a digital model without pre-planning product structure. With SOLIDWORKS Conceptual Design, you're using familiar tools and concepts, so you can focus on ideas, not on the software.

- **Single modeling environment** merges the benefits of design history, parametrics, and direct editing so you can work the way you want—top down, bottom up, layout sketch, or master model—to quickly develop ideas and win more business
- **Direct editing** easily transforms both native and imported geometry without limits, reducing remodeling time and focusing you on innovation
- **Predictive lifelike behavior helps** confirm mechanical operation and shows how your design would react in the real world so you can identify problems and resolve them while you design
- **Find optimal solutions** for your mechanism ideas using Mechanism Synthesis, allowing you to solve unknown dimensional values
- **Evolve your design** from layout sketches and 3D geometry to separate parts and assemblies without being constrained by product structures while respecting defined design intent

SOLIDWORKS Conceptual Design combines the benefits of feature-based and history-free modeling in a unique way for a highly flexible, interactive workflow. You can eliminate wasted design time because you never have to start over or drastically rework designs to make an underlying change.



Easy design modification with innovative tools



Check product performance in 2D before committing to 3D

Mechanism Design and Motion Analysis While You Develop Your Concept

SOLIDWORKS Conceptual Design helps validate mechanical operation as you design while alerting you if your design goals are violated. Use Mechanism Synthesis early on to quickly generate ideas, try variations, and optimize mechanical operation.

- Automatic background simulation and real-time analysis during design confirm model operations
- Rapidly evolve 2D concepts into detailed 3D concept designs with automatic mapping of sketch relations into assembly mates and motion drivers
- Define design goals and receive automatic alerts if designs fall outside of specified parameters

Connected on the Cloud and Built for Collaboration

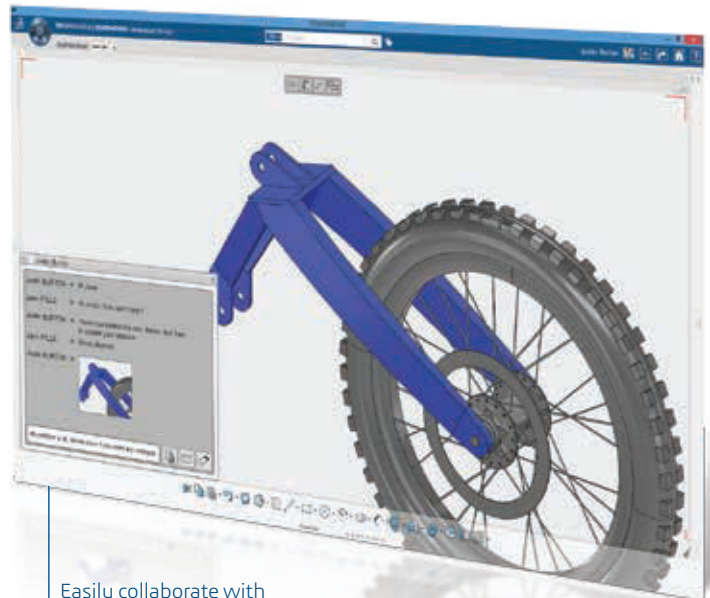
SOLIDWORKS Conceptual Design brings natural collaboration to your conceptual design process. Communicating your design ideas to a dispersed team can be challenging. Capturing feedback from these critical stakeholders can be equally difficult. Too often project decisions are made with incomplete information. By integrating collaboration tools into the design process, you can accelerate your project schedule and have greater confidence that the choices made are the right ones.

Social innovation capabilities built into the foundation of SOLIDWORKS Conceptual Design are powered by Dassault Systèmes **3DEXPERIENCE** platform.

- **Access the collective intelligence** of the whole team to drive towards the best design solution
- **Collaborate internally and externally** with suppliers and customers in an open innovation process
- **Engage stakeholders at any point** in the design process by posting concepts to their private communities
- **Collect stakeholder concept reviews** and feedback using simple and familiar web tools

SOLIDWORKS Conceptual Design automatically captures and retains each of your concepts as you design and stores them on the cloud, with your data continuously saved as you work. Data is always safe and up-to-date in a single, secure location where your team can access the current design anytime from anywhere.

Protect valuable ideas and quickly find and leverage previous concepts with full design intent and intelligence. You define levels of access so users can share, mark up, and discuss designs. And you can better engage with your customers, get their ideas and approvals, and gain competitive advantage.



Easily collaborate with your peers

EXPERIENCE THE DIFFERENCE THAT SOLIDWORKS CONCEPTUAL DESIGN CAN MAKE FOR YOUR BUSINESS

SOLIDWORKS Conceptual Design simplifies and streamlines mechanical conceptual design. Easily develop, confirm, and choose the best and most robust concepts to engage your customers and win orders.

Experience SOLIDWORKS Conceptual Design and advance your next generation of design.

For more details about SOLIDWORKS Conceptual Design, visit www.solidworks.com/conceptualdesign.

Access design data whenever and where ever you are.



Leamington Spa - Head Office

Olympus House
Olympus Avenue
Leamington Spa
CV34 6RJ

Tel: 01926 333777
Fax: 01926 333778
Web: www.solidolutions.co.uk
Email: sales@solidolutions.co.uk

Glasgow | Aberdeen | Durham
Leeds | Sheffield | Warrington
Exeter | Bristol | Fareham | Cambridge
London | Kent | Dublin | Belfast

www.solidolutions.co.uk/contactus

 **SOLIDSOLUTIONS**
SUPPORTING EXCELLENCE

MySolidSolutions

©2015 Dassault Systèmes. All rights reserved. 3DEXPERIENCE®, the Compass icon and the 3DS logo, CATIA®, SOLIDWORKS®, ENOVIA®, DELMIA®, SIMULIA®, GEOVIA®, EXALEAD®, 3D VIA®, BIOVIA®, and NETVIBES® are commercial trademarks or registered trademarks of Dassault Systèmes or its subsidiaries in the U.S. and/or other countries. All other trademarks are owned by their respective owners. Use of any Dassault Systèmes or its subsidiaries trademarks is subject to their express written approval.